



4- WHEEL ELECTRIC
8FBCU

4,000 to 6,500 lbs. • *1,815 to 2,950 kg*

S P E C I F I C A T I O N S

4000 – 6500 lbs • 1815 – 2950 kg • Standard Features

SAFETY

- System of Active Stability™ (SAS)
 - Active control rear stabilizer
 - Active mast function controller
- Operator Presence Sensing System (OPSS)
- Key-lowering interlock
- Foot activated parking brake
- Electric horn
- Manual return to neutral

PERFORMANCE

- AC drive system
- AC hydraulic lift system
- UL-approved model type E
- Three forms of energy regeneration
 - Coast control
 - Plug braking
 - Foot braking
- Power select functions (S.P.H.)
- Digital multifunction display
 - Time & Date
 - Speedometer
 - Multifunction hour meters
 - Battery capacity indicator
 - Parking brake indicator
 - Over discharge warning (lift interrupt)
 - Parking brake indicator
- Low speed setting switch
 - Direction indicator
 - Mast tilt indicator
- Travel power control (acceleration)
- 3-way hydraulic control valve
- Power keep function
- Auto shut-off (programmable)
- Maximum speed limiter

BODY/EXTERIOR DESIGN

- Wide view 2-stage mast (V)
- Wide view carriage bars
- Bolt-on overhead guard
- Punched plate entry/exit steps
- Adjustable front headlights
- 48" **1219mm** load backrest extension
- 85-degree wide-opening battery hood
- Drawbar pin
- Smooth cushion tires
- 30.5" **775mm** battery compartment (4-5.5k)
- 34.3" **871mm** battery compartment (6-6.5k)
- 34.3" **871mm** battery compartment (HJ25 model)

OPERABILITY AND ERGONOMICS

- Strategically configured instrument display
- Hydrostatic power steering (on demand)
- Cowl-mounted hydraulic controls
- Automatic fork leveling control
- Dual operator assist grips
- Electric directional shift control
- Pendant-mounted brake pedal
- Operator restraint system (ORS) with full-suspension seat
- Heavy-duty non-slip floor mat
- 300mm two-spoke steering wheel
- Dash integrated pen/pencil holder
- Hood integrated paper clip
- Dash-mounted cup holder

SERVICEABILITY

- AC drive motor (no brushes or commutator)
- AC hydraulic motor (no brushes or commutator)
- Battery compartment hood assist
- Easy access no-tools floorboard
- Planned maintenance indicator
- Built-in analyzer
- Self-diagnostics

OPTIONAL EQUIPMENT

- UL-approved model type EE
- UL-approved model type ES
- Cold storage model
- 48 Volt electrical system
- Keyless key switch
- Battery slide-out/roll-out
- 4-way hydraulic control valve
- Sideshifter
- Inching EPROM (4-5k)
- EZ Pedal (foot directional control)
- Treaded cushion tires
- Non-marking tires
- Rear pillar assist grip with horn
- Mini-levers with Ergo-Shift
- Joystick controls with Ergo-Shift
- Travel speed acceleration control system
- Touchpad keyless entry system
- Auto height select
- Synchronized steering
- Shock sensor
- Battery compartment side panels
- Cloth 4-way adjustable full-suspension seat
- Swivel seat
- Drive-in rack OHG
- Operator compartment light
- 83.5" & 84.9" **2121mm & 2156mm** overhead guard heights
- Adjustable volume back-up alarm (Smart alarm)
- Anti-static ground strap
- Wide-view full free lift 2-stage mast (FV)
- Wide-view full free lift 3-stage mast (FSV)
- Wide-view full free lift 4-stage mast (QFV)
- Tapered forks
- Fully tapered & polished forks (FTP)
- Key off head light system
- LED lights
- Various load backrest extension heights
- Bottler's tilt
- Side hosing termination
- Fire extinguisher
- Quick disconnects (single & dual)
- 12 Volt power supply
- Steering wheel with knob

Note: Please check with your local Toyota sales professional for additional options.

4000 – 6500 lbs • 1815 – 2950 kg • Specifications

Models		8FBCU20	8FBCU25	8FBCU25	8FBCU28	8FBCU30	8FBCU32
Load Capacity (with 24-in. 609 mm load center)	lb kg	4000 1814	5000 2267	5000 2267	5500 2494	6000 2721	6500 2948
Brakes		Hydraulic (Foot)					

EXTERIOR DIMENSIONS

A Maximum Fork Height (MFH)	in. mm	131.5 3340	131.5 3340	131.5 3340	131.5 3340	131.5 3340	131.5 3340
B Mast Lowered Height	in. mm	83.3 2115	83.3 2115	83.3 2115	83.1 2110	83.1 2110	83.1 2110
C Mast Extended Height	in. mm	179.5 4559	179.5 4559	179.5 4559	179.7 4564	179.7 4549	179.7 4564
D Free Lift	in. mm	6.1 154	6.1 154	6.1 154	5.3 134	5.3 134	5.3 134
E Load Distance ¹	in. mm	16.7 419	16.7 419	16.7 419	17.7 449	17.7 449	17.7 449
F Wheelbase	in. mm	51 1295	51 1295	54.7 1389	51 1295	54.7 1389	54.7 1389
G Fork Size (TxWxL)	in. mm	1.6x5x42		40.6x127x1067	1.8x5x42		45.7x127x1067
H Length to Fork Face	in. mm	81.5 2070	84.3 2141	85.4 2169	87.6 2225	89.6 2276	91.3 2319
I Overhead Guard Height	in. mm	88 2235	88 2235	88 2235	88 2235	88 2235	88 2235
J Tilt Range (forward/backward)	deg	6/8		6/8	6/8		6/8
K Outside Turning Radius	in. mm	70.5 1791	70/9 1801	76.4 1940	72.6 1844	77.2 1961	78.7 1999
L Basic Right Angle Stacking Aisle Width ²	in. mm	87.2 2210	87.6 2220	93.1 2360	90.3 2294	94.9 2410	96.4 2448
M Overall Width	in. mm	41.9 1064	41.9 1064	41.9 1064	43.7 1110	43.7 1110	43.7 1110
N Carriage Width	in. mm	36.2 919	36.2 919	36.2 919	38.2 970	38.2 970	38.2 970
O Tread Width	Front	in. mm	35 889	35 889	35 889	35.8 909	35.8 909
	Rear	in. mm	36 914	36 914	36 914	36 914	36 914

DIMENSIONS OF BATTERY COMPARTMENT

Width	in. mm	39.1 993	39.1 993	39.1 993	39.1 993	39.1 993	39.1 993			
Length	in. mm	30.5 775	30.5 775	34.3 871	30.5 871	34.3 871	34.3 871			
Height	without Slides / with Slides	in. mm 23.8/23 604/584								
Power Type		Battery								
Battery	Voltage/Capacity (6-hour ratings)	STD	36V/48V	AH	1020/765	1020/765	1100/850	1020/765	1190/850	1190/850
		High	36V/48V	AH	1320/990	1320/1100	1320/1100	1320/990	1540/1100	1540/1100
	Min. weight		lbs. kg	2400 1089	2400 1089	3000 1361	2400 1089	3000 1361	3000 1361	
	Max. weight		lbs. kg	3154 1431	3154 1431	3555 1612	3154 1431	3555 1612	3555 1612	
Electric Motors	Drive	36V/48V	kW	10.8/14.8	10.8/14.8	10.8/14.8	13.2/18	13.2/18	13.2/18	
	Load Handling (Hyd.)	36V/48V	kW	11.3/15.1	11.3/15.1	11.3/15.1	11.3/15.1	11.3/15.1	11.3/15.1	
Control Type	Drive		Transistor Invertor							
	Load Handling (Hyd.)		Transistor Invertor							

PERFORMANCE DATA

Maximum Travel Speed (H-Mode)	fld/rvs – full load	36V	mph kph	9.9 15.9	9.6 15.4	9.6 15.4	9.3 15.0	9.0 14.5	9.0 14.5
	fld/rvs - full load	48V	mph kph	11.5 18.5	11.5 18.5	11.5 18.5	11.5 18.5	11.2 18.0	11.2 18.0
	fld/rvs - no load	36V	mph kph	11.2 18.0	10.9 17.5	10.9 17.5	10.9 17.5	10.6 17.0	10.6 17.0
	fld/rvs - no load	48V	mph kph	11.5 18.5	11.5 18.5	11.5 18.5	11.5 18.5	11.5 18.5	11.5 18.5
Lift Speed (V Mast only)	full load	36V/48V	fpm mm/sec	67/89 340/452	59/79 300/401	59/79 300/401	55/73 279/371	51/69 259/351	47/65 239/330
	no load	36V/48V	fpm mm/sec	106/130 538/660	106/130 538/660	106/130 538/660	91/116 462/589	91/116 462/589	91/116 462/589
Lowering Speed (V Mast only)	full load		fpm mm/sec	98 498	98 498	98 498	98 498	98 498	98 498
	no load		fpm mm/sec	98 498	98 498	98 498	98 498	98 498	98 498
Maximum Drawbar Pull	full load ³		lbs kg	3320 1506	3290 1492	3290 1492	3170 1438	3160 1433	3160 1433
	no load ³		lbs kg	2140 971	2010 912	2550 1157	2110 957	2350 1066	2270 1030
Maximum Gradeability	full load ³		%	25	21	21	17	17	17
	no load ³		%	23	19	24	20	20	19

UNDERCLEARANCE

Center of Wheelbase	in. mm	3.9 99.0	3.9 99.0	3.9 99.0	3.9 99.0	3.9 99.0	3.9 99.0
---------------------	--------	----------	----------	----------	----------	----------	----------

TRUCK WEIGHTS

Gross weight without battery	lbs. kg	6260 2839	6960 3157	6310 2862	8060 3656	7700 3493	8130 3688	
Weight Distribution w/ Std. Battery	front-full load	lbs. kg	10800 4899	12410 5629	12530 5683	13740 6232	14650 6645	15420 6994
	rear-full load	lbs. kg	1870 848	1950 884	1780 807	2230 1011	2050 930	2210 1002
	front-no load	lbs. kg	3620 1642	3440 1560	3830 1737	3740 1696	4080 1851	3960 1796
	rear-no load	lbs. kg	5050 2291	5920 2685	5480 2486	6730 3053	6620 3003	7170 3252

ATTACHMENT

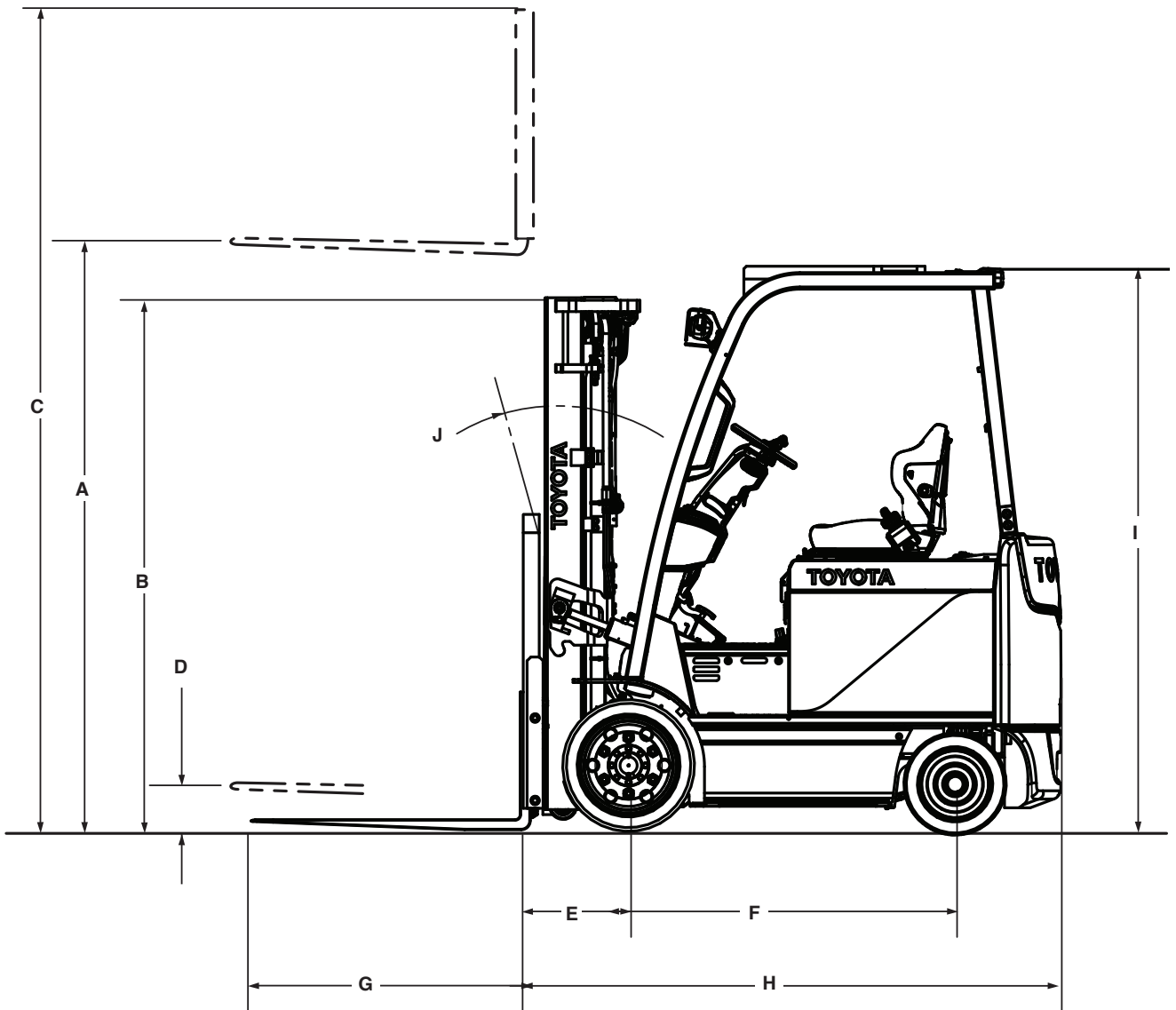
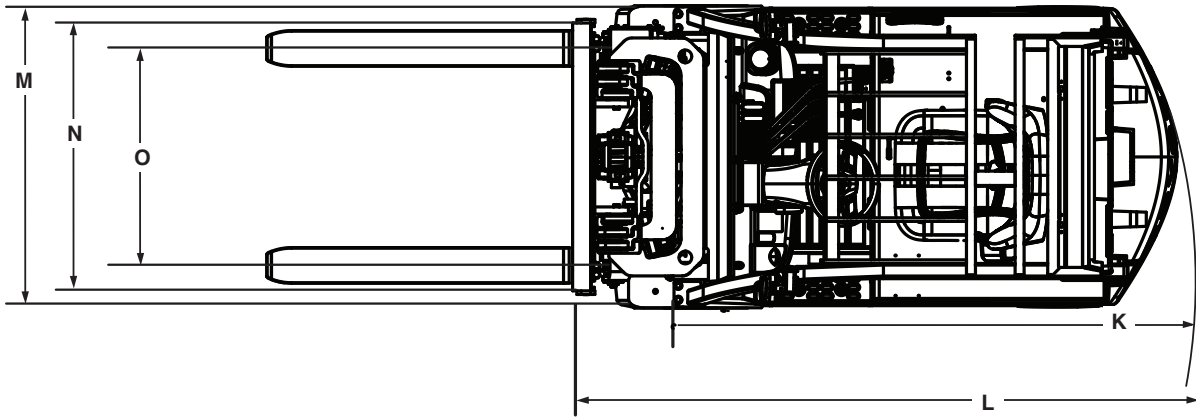
Attachment Operating Hydraulic Pressure	psi MPa	2580 17.8	2580 17.8	2580 17.8	2580 17.8	2580 17.8	2580 17.8
---	---------	-----------	-----------	-----------	-----------	-----------	-----------

TIRES

Type (front/rear)		Cushion/Cushion									
Size (ODxWxD)	Drive (in. mm)	21 x 7 x 15			533 x 178 x 381			21 x 8 x 15		533 x 203 x 381	
	Steer (in. mm)	16 x 5 x 10.5			406 x 127 x 267			16 x 6 x 10.5		406 x 152 x 267	

1) Centerline of front axle to front face of forks. 2) Add load length and aisle clearance. 3) 3-minute rating computed values.

4000 – 6500 lbs • 1815 – 2950 kg • Mast Specifications



4000 – 6500 lbs • 1815 – 2950 kg • Mast Specifications

8FBCU20

Mast Type	Maximum Fork Height (top of forks)		Overall Height				Free Lift				Tilt Range		Standard Tread		Wide Tread			
			Lowered		Extended		Without Load Backrest		With Standard Load Backrest		FWD	BWD	Load Capacity @ 24in. / 609 mm Load Center		Load Capacity @ 24in. / 609 mm Load Center			
					Without Load Backrest	With Standard Load Backrest							lbs.	kg	lbs.	kg		
	in.	mm	in.	mm	in.	mm	in.	mm	in.	mm	deg	deg	lbs.	kg	lbs.	kg		
Wide Visible (V)	80	2045	57.7	1465	105.9	2690	128.3	3259	6.1	154	6.1	154	6	5	4000	1814	4000	1814
	119.5	3035	77.4	1966	145.2	3688	167.7	4260	6.1	154	6.1	154	6	8	4000	1814	4000	1814
	131.5	3340	83.3	2116	157.1	3990	179.5	4559	6.1	154	6.1	154	6	8	4000	1814	4000	1814
	139.5	3543	87.2	2214	164.9	4950	187.4	4759	6.1	154	6.1	154	6	8	4000	1814	4000	1814
	147	3733	93.5	2374	173.8	4414	195.3	4960	6.1	154	6.1	154	6	8	4000	1814	4000	1814
	159	4038	101	2565	184.6	4673	207.1	5260	6.1	154	6.1	154	6	8	4000	1814	4000	1814
Full-Free Lift 2-Stage (FV)	119.5	3035	77.4	1966	143.5	3644	167.7	4259	53.6	1361	29.3	744	6	8	4000	1814	4000	1814
	131.5	3340	83.3	2115	155.3	3944	179.5	4559	59.5	1511	35.2	894	6	8	4000	1814	4000	1814
	139	3530	87.2	2215	163.1	4143	187.4	4760	63.4	1610	39.2	996	6	8	4000	1814	4000	1814
Full-Free Lift 3-Stage (FSV)	159	4039	73.4	1864	184.2	4679	207.1	5260	48.1	1222	25.4	645	6	5	4000	1814	4000	1814
	170.5	4331	77.4	1966	196	4978	218.9	5560	52	1321	29.4	747	6	5	4000	1814	4000	1814
	189	4801	83.3	2116	214.3	5443	237.2	6025	57.9	1471	35.3	897	6	5	3900	1769	3900	1769
	198	5042	87.2	2215	223.6	5679	246.5	6261	61.9	1572	39.2	996	6	5	3850	1746	3850	1746
	218	5537	93.5	2375	243.3	6180	266.1	6759	68.2	1732	45.5	1156	6	5	3650	1656	3650	1656
	237.5	6032	101	2565	263	6680	285.8	7259	75.6	1920	53	1346	6	5	-	-	3500	1587 [1]
Full-Free Lift 4-Stage (QFV)	241.5	6134	83.1	2111	262.6	6670	289.6	7356	62.1	1577	35	889	6	5	-	-	3700	1678 [1]
	259.5	6591	89	2260	280.7	7130	307.7	7815	68	1727	40.9	1039	6	5	-	-	3200	1451 [1]
	278	7061	95.3	2421	298.8	7589	325.8	8275	74.3	1887	47.2	1199	6	5	-	-	1900	862 [1]

Note: Height of standard load backrest is 48 in. 1219 mm.

[1] Requires G00A wide tread.

*All capacities of 1,500 lbs 680 kg or less are subject to a secondary review and could be denied by Toyota.

8FBCU25

Mast Type	Maximum Fork Height (top of forks)		Overall Height				Free Lift				Tilt Range		Standard Tread		Wide Tread			
			Lowered		Extended		Without Load Backrest		With Standard Load Backrest		FWD	BWD	Load Capacity @ 24in. / 609 mm Load Center		Load Capacity @ 24in. / 609 mm Load Center			
					Without Load Backrest	With Standard Load Backrest							lbs.	kg	lbs.	kg		
	in.	mm	in.	mm	in.	mm	in.	mm	in.	mm	deg	deg	lbs.	kg	lbs.	kg		
Wide Visible (V)	80	2045	57.7	1465	105.9	2690	128.3	3259	6.1	154	6.1	154	6	5	5000	2268	5000	2268
	119.5	3035	77.4	1966	145.2	3688	167.7	4260	6.1	154	6.1	154	6	8	5000	2268	5000	2268
	131.5	3340	83.3	2116	157.1	3990	179.5	4559	6.1	154	6.1	154	6	8	5000	2268	5000	2268
	139.5	3543	87.2	2214	164.9	4950	187.4	4759	6.1	154	6.1	154	6	8	5000	2268	5000	2268
	147	3733	93.5	2374	173.8	4414	195.3	4960	6.1	154	6.1	154	6	8	5000	2268	5000	2268
	159	4038	101	2565	184.6	4673	207.1	5260	6.1	154	6.1	154	6	8	5000	2268	5000	2268
Full-Free Lift 2-Stage (FV)	119.5	3035	77.4	1966	143.5	3644	167.7	4259	53.6	1361	29.3	744	6	8	5000	2268	5000	2268
	131.5	3340	83.3	2115	155.3	3944	179.5	4559	59.5	1511	35.2	894	6	8	5000	2268	5000	2268
	139	3530	87.2	2215	163.1	4143	187.4	4760	63.4	1610	39.2	996	6	8	5000	2268	5000	2268
Full-Free Lift 3-Stage (FSV)	159	4039	73.4	1864	184.2	4679	207.1	5260	48.1	1222	25.4	645	6	5	5000	2268	5000	2268
	170.5	4331	77.4	1966	196	4978	218.9	5560	52	1321	29.4	747	6	5	5000	2268	5000	2268
	189	4801	83.3	2116	214.3	5443	237.2	6025	57.9	1471	35.3	897	6	5	4850	2200	4850	2200
	198	5042	87.2	2215	223.6	5679	246.5	6261	61.9	1572	39.2	996	6	5	4750	2154	4750	2154
	218	5537	93.5	2375	243.3	6180	266.1	6759	68.2	1732	45.5	1156	6	5	-	-	4600	2086
	237.5	6032	101	2565	263	6680	285.8	7259	75.6	1920	53	1346	6	5	-	-	4000	1814 [1]
Full-Free Lift 4-Stage (QFV)	241.5	6134	83.1	2111	262.6	6670	289.6	7356	62.1	1577	35	889	6	5	-	-	4400	1996 [1]
	259.5	6591	89	2260	280.7	7130	307.7	7815	68	1727	40.9	1039	6	5	-	-	3850	1746 [1]
	278	7061	95.3	2421	298.8	7589	325.8	8275	74.3	1887	47.2	1199	6	5	-	-	2500	1134 [1]

Note: Height of standard load backrest is 48 in. 1219 mm.

[1] Requires G00A wide tread.

*All capacities of 1,500 lbs 680 kg or less are subject to a secondary review and could be denied by Toyota.

4000 – 6500 lbs • 1815 – 2950 kg • Mast Specifications

8FBCHU25

Mast Type	Maximum Fork Height (top of forks)		Overall Height				Free Lift				Tilt Range		Standard Tread	Wide Tread				
			Lowered	Extended		Without Load Backrest	With Standard Load Backrest	Without Load Backrest	With Standard Load Backrest	FWD	BWD	Load Capacity @ 24in. / 609 mm Load Center	Load Capacity @ 24in. / 609 mm Load Center					
	in.	mm		in.	mm									in.	mm	in.	mm	deg
Wide Visible (V)	80	2045	57.7	1465	105.9	2690	128.3	3259	6.1	154	6.1	154	6	5	5000	2268	5000	2268
	119.5	3035	77.4	1966	145.2	3688	167.7	4260	6.1	154	6.1	154	6	8	5000	2268	5000	2268
	131.5	3340	83.3	2116	157.1	3990	179.5	4559	6.1	154	6.1	154	6	8	5000	2268	5000	2268
	139.5	3543	87.2	2214	164.9	4950	187.4	4759	6.1	154	6.1	154	6	8	5000	2268	5000	2268
	147	3733	93.5	2374	173.8	4414	195.3	4960	6.1	154	6.1	154	6	8	5000	2268	5000	2268
	159	4038	101	2565	184.6	4673	207.1	5260	6.1	154	6.1	154	6	8	5000	2268	5000	2268
Full-Free Lift 2-Stage (FV)	119.5	3035	77.4	1966	143.5	3644	167.7	4259	53.6	1361	29.3	744	6	8	5000	2268	5000	2268
	131.5	3340	83.3	2115	155.3	3944	179.5	4559	59.5	1511	35.2	894	6	8	5000	2268	5000	2268
	139	3530	87.2	2215	163.1	4143	187.4	4760	63.4	1610	39.2	996	6	8	5000	2268	5000	2268
Full-Free Lift 3-Stage (FSV)	159	4039	73.4	1864	184.2	4679	207.1	5260	48.1	1222	25.4	645	6	5	5000	2268	5000	2268
	170.5	4331	77.4	1966	196	4978	218.9	5560	52	1321	29.4	747	6	5	5000	2268	5000	2268
	189	4801	83.3	2116	214.3	5443	237.2	6025	57.9	1471	35.3	897	6	5	4850	2200	4850	2200
	198	5042	87.2	2215	223.6	5679	246.5	6261	61.9	1572	39.2	996	6	5	4750	2154	4750	2154
	218	5537	93.5	2375	243.3	6180	266.1	6759	68.2	1732	45.5	1156	6	5	-	-	4600	2086
	237.5	6032	101	2565	263	6680	285.8	7259	75.6	1920	53	1346	6	5	-	-	4150	1882 [1]
Full-Free Lift 4-Stage (QFV)	241.5	6134	83.1	2111	262.6	6670	289.6	7356	62.1	1577	35	889	6	5	-	-	4250	1928 [1]
	259.5	6591	89	2260	280.7	7130	307.7	7815	68	1727	40.9	1039	6	5	-	-	4000	1814 [1]
	278	7061	95.3	2421	298.8	7589	325.8	8275	74.3	1887	47.2	1199	6	5	-	-	2850	1293 [1]

Note: Height of standard load backrest is 48 in. 1219 mm.

[1] Requires G00A wide tread.

*All capacities of 1,500 lbs 680 kg or less are subject to a secondary review and could be denied by Toyota.

8FBCU28

Mast Type	Maximum Fork Height (top of forks)		Overall Height				Free Lift				Tilt Range		Standard Tread	Wide Tread				
			Lowered	Extended		Without Load Backrest	With Standard Load Backrest	Without Load Backrest	With Standard Load Backrest	FWD	BWD	Load Capacity @ 24in. / 609 mm Load Center	Load Capacity @ 24in. / 609 mm Load Center					
	in.	mm		in.	mm									in.	mm	in.	mm	deg
Wide Visible (V)	80.5	2045	57.5	1460	107.9	2741	128.5	3264	5.3	135	5.3	135	6	5	5500	2495	5500	2495
	119.5	3035	77.2	1961	147.2	3739	167.9	4265	5.3	135	5.3	135	6	8	5500	2495	5500	2495
	131.5	3340	83.1	2111	159.1	4041	179.7	4564	5.3	135	5.3	135	6	8	5500	2495	5500	2495
	139.5	3543	87	2210	166.9	4239	187.6	4765	5.3	135	5.3	135	6	8	5500	2495	5500	2495
	147	3733	93.3	2370	174.8	4439	195.5	4966	5.3	135	5.3	135	6	8	5500	2495	5500	2495
	159	4038	100.8	2560	186.6	4740	207.3	5265	5.3	135	5.3	135	6	8	5500	2495	5500	2495
Full-Free Lift 2-Stage (FV)	119.5	3035	77.2	1961	143.9	3655	167.8	4259	53.2	1351	29.2	742	6	8	5500	2495	5500	2495
	131.5	3340	83.1	2111	155.7	3955	179.7	4559	59.1	1501	35.1	891	6	8	5500	2495	5500	2495
	139.5	3530	87	2210	163.5	4153	187.5	4760	63.1	1603	39.1	993	6	8	5500	2495	5500	2495
Full-Free Lift 3-Stage (FSV)	159	4039	77.2	1961	183.2	4653	207.2	5263	53.1	1438	29.2	742	6	5	5500	2495	5500	2495
	171	4331	83.1	195	195	4953	219	5562	59.1	1585	35.1	891	6	5	5350	2427	5350	2427
	187	4750	87	2210	210.8	5354	234.8	5964	63	1684	39.1	993	6	5	5300	2404	5300	2404
	198.5	5042	93.3	2370	222.6	5654	246.6	6264	69.3	1844	45.4	1153	6	5	5250	2381	5250	2381
	218	5537	100.8	2560	242.3	6154	266.3	6764	76.8	2034	52.9	1344	6	5	5050	2291	5050	2291
	237.5	6032	110.6	2807	262	6655	285.9	7262	86.6	2286	62.7	1592	6	5	4250	1928	4850	2200 [1]
Full-Free Lift 4-Stage (QFV)	241.5	6134	83.1	2111	262.6	6670	289.6	7356	62.1	1577	35	889	6	5	-	-	4500	2041 [1]
	259.5	6591	89	2260	280.7	7130	307.7	7815	68	1727	40.9	1039	6	5	-	-	3200	1451 [1]
	278	7061	95.3	2421	298.8	7589	325.8	8275	74.3	1887	47.2	1199	6	5	-	-	1900	862 [1]

Note: Height of standard load backrest is 48 in. 1219 mm.

[1] Requires G00A wide tread.

*All capacities of 1,500 lbs 680 kg or less are subject to a secondary review and could be denied by Toyota.

4000 – 6500 lbs • 1815 – 2950 kg • Mast Specifications

8FBCU30

Mast Type	Maximum Fork Height (top of forks)		Overall Height						Free Lift				Tilt Range		Standard Tread	Wide Tread		
			Lowered		Extended		Without Load Backrest		With Standard Load Backrest		FWD		BWD		Load Capacity @ 24in. / 609 mm Load Center	Load Capacity @ 24in. / 609 mm Load Center		
					Without Load Backrest	With Standard Load Backrest												
	in.	mm	in.	mm	in.	mm	in.	mm	in.	mm	in.	mm	deg	deg	lbs.	kg	lbs.	kg
Wide Visible (V)	80.5	2045	57.5	1460	107.9	2741	128.5	3264	5.3	135	5.3	135	6	5	6000	2721	6000	2721
	119.5	3035	77.2	1961	147.2	3739	167.9	4265	5.3	135	5.3	135	6	8	6000	2721	6000	2721
	131.5	3340	83.1	2111	159.1	4041	179.7	4564	5.3	135	5.3	135	6	8	6000	2721	6000	2721
	139.5	3543	87	2210	166.9	4239	187.6	4765	5.3	135	5.3	135	6	8	6000	2721	6000	2721
	147	3733	93.3	2370	174.8	4439	195.5	4966	5.3	135	5.3	135	6	8	6000	2721	6000	2721
	159	4038	100.8	2560	186.6	4740	207.3	5265	5.3	135	5.3	135	6	8	6000	2721	6000	2721
Full-Free Lift 2-Stage (FV)	119.5	3035	77.2	1961	143.9	3655	167.8	4259	53.2	1351	29.2	742	6	8	6000	2721	6000	2721
	131.5	3340	83.1	2111	155.7	3955	179.7	4559	59.1	1501	35.1	891	6	8	6000	2721	6000	2721
	139.5	3543	87	2210	163.5	4153	187.5	4760	63.1	1603	39.1	993	6	8	6000	2721	6000	2721
Full-Free Lift 3-Stage (FSV)	159	4039	77.2	1961	183.2	4653	207.2	5263	53.1	1438	29.2	742	6	5	6000	2721	6000	2721
	171	4331	83.1	195	195	4953	219	5562	59.1	1585	35.1	891	6	5	5900	2676	5900	2676
	187	4750	87	2210	210.8	5354	234.8	5964	63	1684	39.1	993	6	5	5800	2631	5800	2631
	198.5	5042	93.3	2370	222.6	5654	246.6	6264	69.3	1844	45.4	1153	6	5	5650	2563	5650	2563
	218	5537	100.8	2560	242.3	6154	266.3	6764	76.8	2034	52.9	1344	6	5	5450	2472	5450	2472
	237.5	6032	110.6	2807	262	6655	285.9	7262	86.6	2286	62.7	1592	6	5	4400	1996	5250	2381
Full-Free Lift 4-Stage (QFV)[1]	241.5	6134	83.1	2111	262.6	6670	289.6	7356	62.1	1577	35	889	6	5	-	-	4500	2041 [2]
	259.5	6591	89	2260	280.7	7130	307.7	7815	68	1727	40.9	1039	6	5	-	-	3450	1565 [2]
	278	7061	95.3	2421	298.8	7589	325.8	8275	74.3	1887	47.2	1199	6	5	-	-	2250	1020 [2]

Note: Height of standard load backrest is 48 in. 1219 mm.

[1] QFV Mast has 36 inch 914 mm wide Class II carriage. [2] Requires G00A wide tread.

*All capacities of 1,500 lbs 680 kg or less are subject to a secondary review and could be denied by Toyota.

8FBCU32

Mast Type	Maximum Fork Height (top of forks)		Overall Height						Free Lift				Tilt Range		Standard Tread	Wide Tread		
			Lowered		Extended		Without Load Backrest		With Standard Load Backrest		FWD		BWD		Load Capacity @ 24in. / 609 mm Load Center	Load Capacity @ 24in. / 609 mm Load Center		
					Without Load Backrest	With Standard Load Backrest												
	in.	mm	in.	mm	in.	mm	in.	mm	in.	mm	in.	mm	deg	deg	lbs.	kg	lbs.	kg
Wide Visible (V)	80.5	2045	57.5	1460	107.9	2741	128.5	3264	5.3	135	5.3	135	6	5	6500	2948	6500	2948
	119.5	3035	77.2	1961	147.2	3739	167.9	4265	5.3	135	5.3	135	6	8	6500	2948	6500	2948
	131.5	3340	83.1	2111	159.1	4041	179.7	4564	5.3	135	5.3	135	6	8	6500	2948	6500	2948
	139.5	3543	87	2210	166.9	4239	187.6	4765	5.3	135	5.3	135	6	8	6500	2948	6500	2948
	147	3733	93.3	2370	174.8	4439	195.5	4966	5.3	135	5.3	135	6	8	6500	2948	6500	2948
	159	4038	100.8	2560	186.6	4740	207.3	5265	5.3	135	5.3	135	6	8	6500	2948	6500	2948
Full-Free Lift 2-Stage (FV)	119.5	3035	77.2	1961	143.9	3655	167.8	4259	53.2	1351	29.2	742	6	8	6500	2948	6500	2948
	131.5	3340	83.1	2111	155.7	3955	179.7	4559	59.1	1501	35.1	891	6	8	6500	2948	6500	2948
	139.5	3543	87	2210	163.5	4153	187.5	4760	63.1	1603	39.1	993	6	8	6500	2948	6500	2948
Full-Free Lift 3-Stage (FSV)	159	4039	77.2	1961	183.2	4653	207.2	5263	53.1	1438	29.2	742	6	5	6500	2948	6500	2948
	171	4331	83.1	195	195	4953	219	5562	59.1	1585	35.1	891	6	5	6400	2903	6400	2903
	187	4750	87	2210	210.8	5354	234.8	5964	63	1684	39.1	993	6	5	6300	2858	6300	2858
	198.5	5042	93.3	2370	222.6	5654	246.6	6264	69.3	1844	45.4	1153	6	5	6150	2789	6150	2789
	218	5537	100.8	2560	242.3	6154	266.3	6764	76.8	2034	52.9	1344	6	5	5900	2676	5900	2676
	237.5	6032	110.6	2807	262	6655	285.9	7262	86.6	2286	62.7	1592	6	5	4250	1928	5700	2585
Full-Free Lift 4-Stage (QFV)[1]	241.5	6134	83.1	2111	262.6	6670	289.6	7356	62.1	1577	35	889	6	5	-	-	4500	2041 [2]
	259.5	6591	89	2260	280.7	7130	307.7	7815	68	1727	40.9	1039	6	5	-	-	3300	1497 [2]
	278	7061	95.3	2421	298.8	7589	325.8	8275	74.3	1887	47.2	1199	6	5	-	-	2100	952 [2]

Note: Height of standard load backrest is 48 in. 1219 mm.

[1] QFV Mast has 36 inch 914 mm wide Class II carriage. [2] Requires G00A wide tread.

*All capacities of 1,500 lbs 680 kg or less are subject to a secondary review and could be denied by Toyota.



Virtually all Toyota 8-Series lift trucks sold in North America are manufactured and assembled at our state-of-the-art manufacturing facility in Columbus, Indiana. Toyota Industrial Equipment Manufacturing (TIEM) has attained ISO 14001 certification for environmental compliance and ISO 9001 for quality management excellence.



TOYOTA CANADA INC. (TCI) has received ISO 14001 certification for its Toronto, Ontario based head office facilities and parts distribution centre. This internationally recognized certification illustrates Toyota's global commitment to protecting the environment.

Established in 1970, Toyota Canada Inc., Industrial Equipment Division (TCI-IED), headquartered in Toronto, Ontario, is the only major lift truck supplier to have a head office and parts distribution centre in Canada dedicated to supporting the Canadian market.

Toyota's commitment to customer service extends nationwide. Thirty authorized Toyota Industrial Equipment Dealer facilities located throughout Canada offer comprehensive customer support including one-stop shopping for lift trucks, genuine Toyota parts and Toyota University accredited service technicians.

Not only is Toyota committed to Canada, but is proud of its overall commitment to North America, which includes:

- Direct North American employment: 38,041
- Direct North American Investment: CDN \$20.3 B

We are committed to supporting our products, and most importantly, our customers.

For more information contact your local authorized Toyota Industrial Equipment dealer, fax Toyota direct at **1-800-592-3851**, or visit the Toyota Industrial Equipment web site at www.forklift.toyota.ca.

Some product features here-in are optional. Please contact your dealer for specifications.
Details of specifications are based on information available at time of printing and may change without notice.



TOYOTA CANADA INC.

April 2010

8FBCU - 300ES - 25